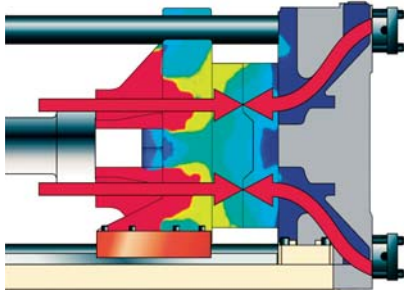
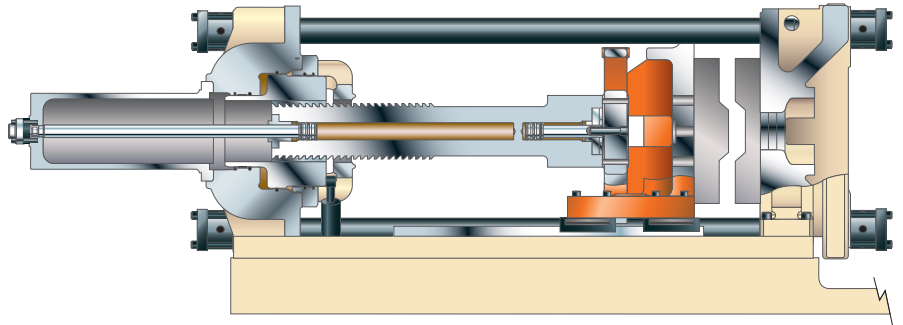


High productivity and longer mold life



Clamping force is directed to the molding area by the center clamp column and then redistributed evenly across the entire mold face by Reflex platens.



The Hylectric machine consistently delivers cycle times that are 15–30% faster than competitive machines in mold tests. Wide tiebar spacing combined with Reflex platens offer better tonnage utilization and often allow molders to select a smaller clamp size.

Higher performance, lower operating costs

In today's globally competitive business environment, solutions targeting lowest part cost are essential. The Hylectric machine maximizes the output of molds and improves operating costs.

Hylectric machines provide:

- Higher output
- Ease of use
- Clean operation
- Greater reliability
- Reduced maintenance
- Improved uptime

Longer mold life

Most molders have more invested in tooling than in machinery. The Hylectric machine was designed to extend regular maintenance intervals and prolong the life of molds.

- Reflex® platens distribute clamping forces evenly across mold mounting surfaces, which can reduce tonnage required by up to 50%
- Mold protection sensing occurs under mold stroke force at only 2% of full tonnage
- Clamp design delivers true closed loop tonnage control to minimize cycle variations, over-tonnage or flash during start-up

- Enhanced shutter cylinder design enables overlapping of clamp lock and clamp up motions to reduce dry cycle
- Placing the clamp beams outside the tiebars increases clamp stiffness, improving support for heavy molds and reducing mold wear

Improved part quality and efficiency

Overall productivity is not only influenced by speed and cavitation. Yields are also increased with better part quality, which can be achieved through machine design and performance.



A HL500 RS115/100 with stack mold carrier.

Better control

- Microsecond scan rates on CPU, high performance servo valves and true closed loop control for improved shot-to-shot repeatability

Cleaner molding area

- Moving platen rides on sealed bearings rather than on tiebars, eliminating grease in the molding area
- Increased tiebar spacing and wide stance platen support, reduces part contact with the machine

Reduce energy cost—without sacrificing performance

The Hylectric machine combines the efficiency of an electric screw drive with the speed and pressure of hydraulic injection

This provides the best of both worlds:

- For high performance applications, approximately half of a machine’s energy consumption goes into the plasticizing of resin
- With an electric drive for plasticizing and the use of accumulators, the size of the hydraulic powerpack is reduced significantly. Since not all machine motions are simultaneous, power from the hydraulic powerpack is shared among all axes, while all-electric machines require individual motors for each axis
- Husky Services helps customers achieve maximum Overall Equipment Effectiveness (OEE) by improving operating efficiency and conserving energy. Husky conducts a detailed plant and operational assessment to identify opportunities for

improvement. The goal of the assessment is to analyze existing operations, establish current factory efficiency, then quantify opportunities for improvement

Standard features



Clamp

- Reflex platens
- Wide tiebar spacing
- Closed loop mold protection and clamp force control
- Regenerative mold stroke hydraulics for energy efficiency and high speed operation
- Large gates provide easy access to mold area for part removal



Injection

- Closed loop control of injection speed, hold pressure, back pressure and fill pressure
- Wear protected screw (Colmonoy* 56) and bi-metallic barrel
- Electric extruder drive (up to RS 135)
- Accumulator assisted hydraulic system and injection
- Mineral insulated heater bands



Operator friendly controls

- Polaris® Control—Intel® processor with Windows operating system
- User-programmable functions—corepull, robots and access levels etc.—Microsecond CPU scan rates
- Remote diagnostics and troubleshooting capability
- Flat panel color operator interface with touchscreen controls
- 20000 machine event log and report generation



Hydraulics

- Independent servo valve control of clamp tonnage, mold stroke and injection
- High efficiency, water-cooled pump motor
- Noise reducing, fully enclosed power pack
- High flow bypass oil filtration (3 micron) with pressure drop monitoring
- Centralized oil collection and recovery system

Contact Husky today for more information on Hylectric machines.

Husky Injection Molding Systems
www.husky.ca

Head Office Canada • Tel. (905) 951 5000 • Fax (905) 951 5384
Asia China • Tel. (86) 21 3850 8000 • Fax (86) 21 5048 4900
Europe Luxembourg • Tel. (352) 52 11 51 • Fax (352) 52 60 10

*HUSKY, HUSKY KEEPING OUR CUSTOMERS IN THE LEAD & DESIGN, POLARIS, REFLEX and HYLECTRIC are registered trade-marks of Husky Injection Molding Systems Ltd. in the United States and other countries, and may be used by certain of its affiliated companies under License. Other HUSKY product or service names or logos referenced in these materials are trade-marks of Husky Injection Molding Systems Ltd. and may be used by certain of its affiliated companies under License. * Other trademarks are trademarks of their respective owners.
© 2012 Husky Injection Molding Systems Ltd. All rights are reserved.